

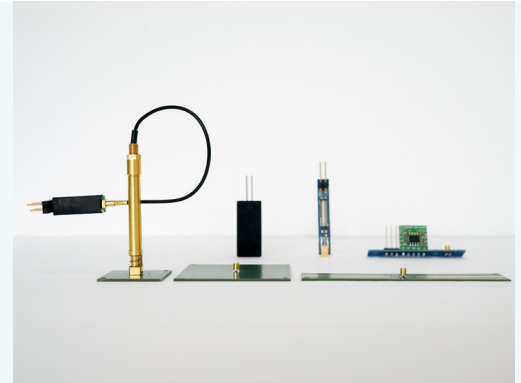
ATX COAXIAL PROBE V2.0

Article: 561099 | 561100 | 561101

Increase the reliability of your ICT fixtures with our latest innovation

The ATX coaxial probe V2.0 has been developed to provide you with a significantly more stable and reliable probe. Thanks to the improved mechanical stability of the probe, you can significantly increase the reliability and robustness of your production processes. Our probes are secured against twisting and have an individually adjustable height suspension.

The use of plug-in probe plates makes replacing the probes effortless and time-saving. This simple assembly makes our probes ideal both for significantly improved ease of maintenance and for self-removal.



General Data

Product:	ATX coaxial probe V2.0		
Heights:	Short	Medium	Long
• Basic unit (without probe cable)	37 mm	52 mm	64 mm
• Visible probe cable	113 mm	98 mm	86 mm
• Sleeve	22 mm	37 mm	49 mm
• Spring deflection	3,3 mm	3,3 mm	3,3 mm
Article number:	561099	561100	561101

Assembly / dimensions

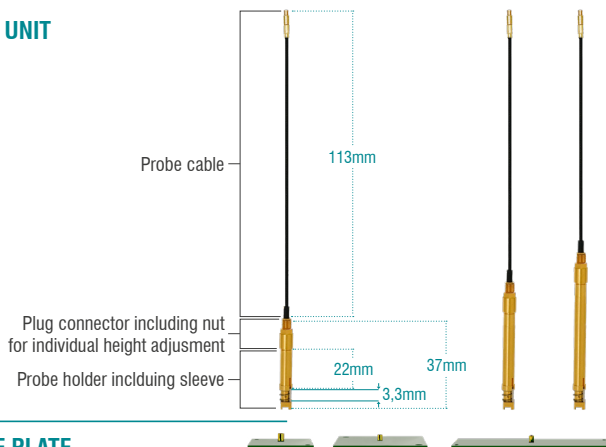
Muxboard



Amplifier



BASIC UNIT



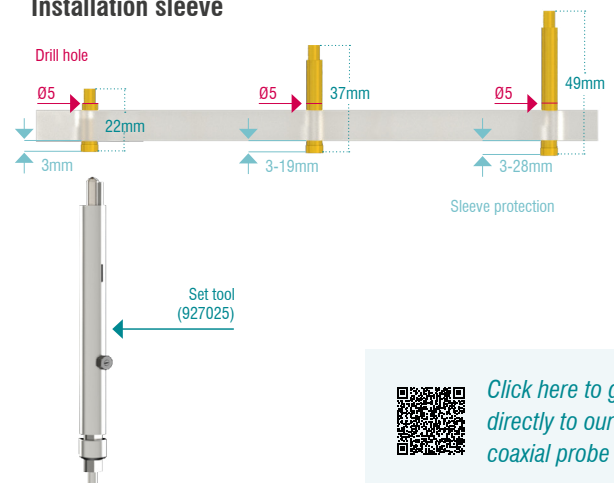
PROBE PLATE



Installation

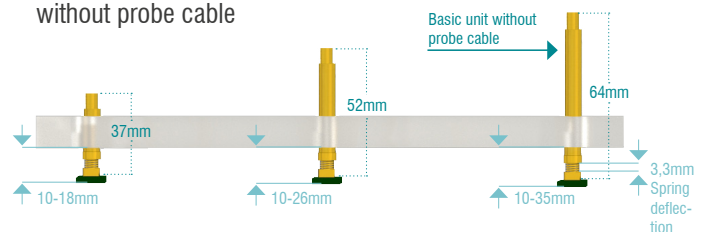
The basic unit is mounted in the hold-down or pin plate using a sleeve. To do this, drill a hole in the hold-down or pin plate and then insert the sleeve of the probe using the set tool. This enables flexible height compensation and ensures precise alignment.

Installation sleeve



[Click here to go directly to our ATX coaxial probe V2.0](#)

Installation basic unit without probe cable



Multicompatible

MUXBOARD

- Keysight NanoVTEP Signal Conditioner Card N4333B-002 (564012)
- Framescan FX2 Teradyne (564008)

AMPLIFIER

- Keysight amplifier NanoVTEP V2.0 (555040)
- Teradyne amplifier Framescan FX2 V2.0 (564008)
- Digitaltest OpensCheck Buffer V2.0 (567013)
- SPEA Escan amplifier V2.0 (564012)

PROBE PLATE

- Probe plate 25 x 25mm (552187)
- Probe plate 45 x 45mm (552188)
- Probe plate 16 x 80mm (552189)
- Component customisation for individual probe plate sizes X x Xmm (103409)