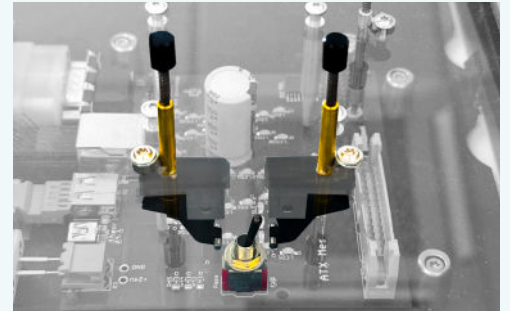


MANUAL BUTTON ACTUATOR | 90° DEFLECTION

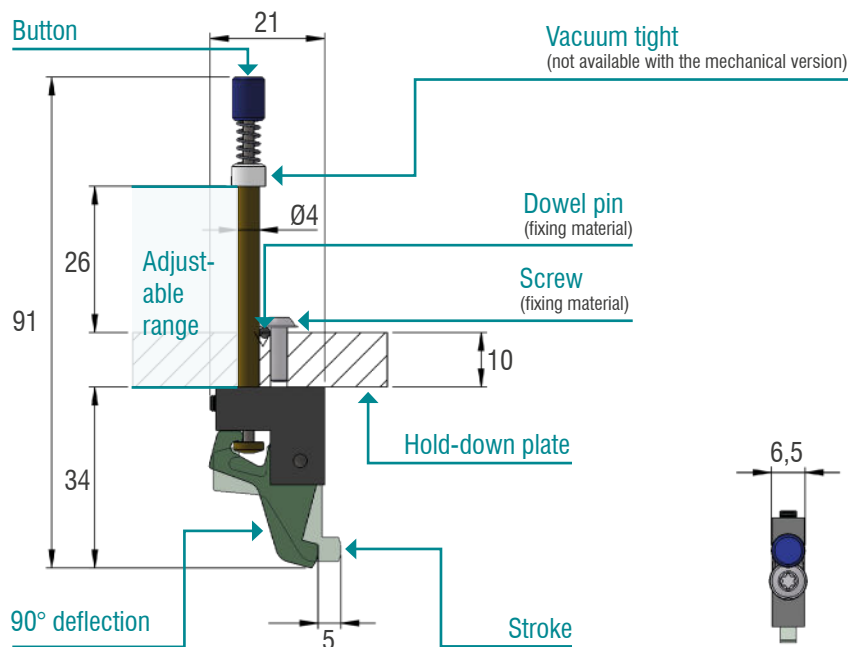
For horizontal buttons & switches

Reliable manual operation of horizontal buttons & switches

Our manual button actuator | 90° deflection enables precise and space-saving manual operation of horizontal buttons and switches on PCBs. This solution makes it possible to operate the components during testing under a closed bonnet in both the mechanical and vacuum areas.



Manual button actuator | 90° deflection



120601*
B03-00169
Vacuum fixture



120605*
B03-00197
Mechanical fixture



*Includes fixing material (screw & dowel pin)

Further versions

In addition to manual button actuator | 90° deflection for horizontal buttons and switches, there is also a manual button actuator | vertical for vertical buttons available.

General data

Article number:	120601 (Vacuum fixture) 120605 (Mechanical fixture)
Product:	Manual button actuator
Product type:	90° deflection
Product family:	Test fixture accessories
Accessory type:	Expansion accessory
Retrofittable:	Yes

Technical data

Stroke:	5 mm
Assembly:	4 mm drill hole
Length:	91 mm
Adjustable length:	36 mm
Diameter head:	6 mm

Compatibility

The manual button actuator | 90° deflection can be used individually and in any test system in which horizontal buttons and switches have to be operated from the side - whether mechanical or vacuum.

ADVANTAGES

- ✓ Simple installation
- ✓ Individually adjustable
- ✓ Optional vacuum tight
- ✓ Cost-efficient solution